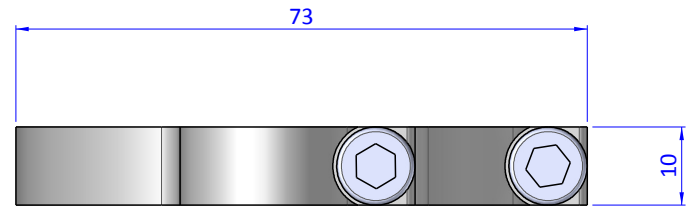
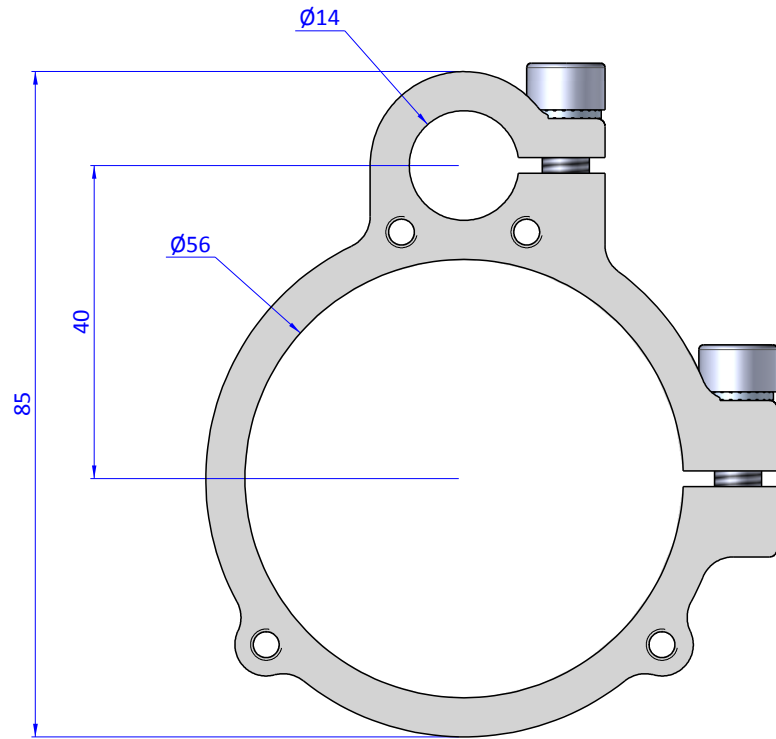
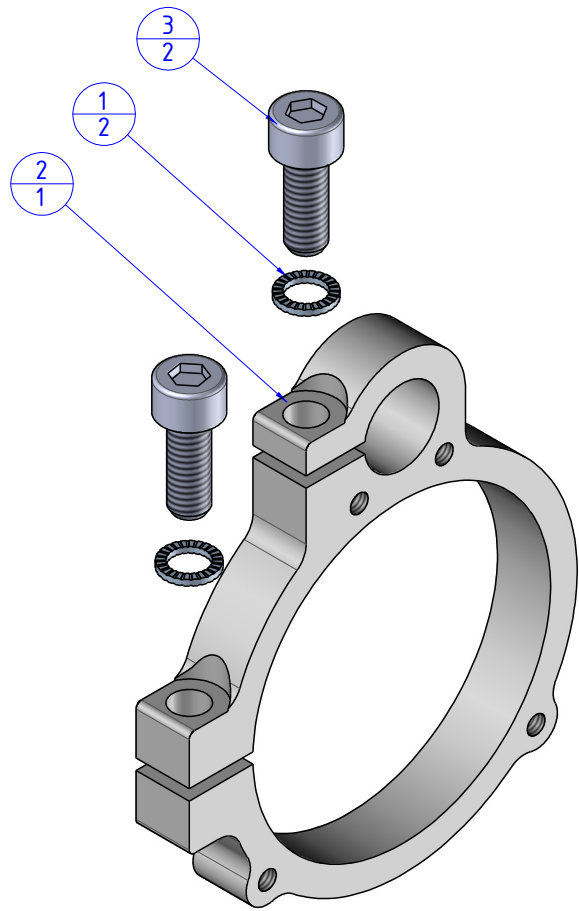


THE PROPERTY OF THE DRAWING IS ESTABLISHED BY LAW. IT IS FORBIDDEN TO PRODUCE OR SHOW IT TO THIRD PARTY, WITHOUT A WRITTEN AGREEMENT.

| Item | Name | Q.ty |
|------|------------|------|
| 1 | R.6.SCH | 2 |
| 2 | SAT.5614.L | 1 |
| 3 | V.TCE6x16 | 2 |



Format A3

UNI 936-76

| | | | | |
|---|--|----------------|----------|--------|
| | | DESIGNED FROM | | REVIEW |
| | | FPS Automation | | A |
| GENERAL TOLERANCE UNI - ISO 2768 CLASSE f | | DATE | WEIGHT | |
| | | 16/05/2019 | 0.037 Kg | |
| DESCRIPTION | | CODE | | |
| CA.SAT.5614 | | CA.SAT.5614 | | |